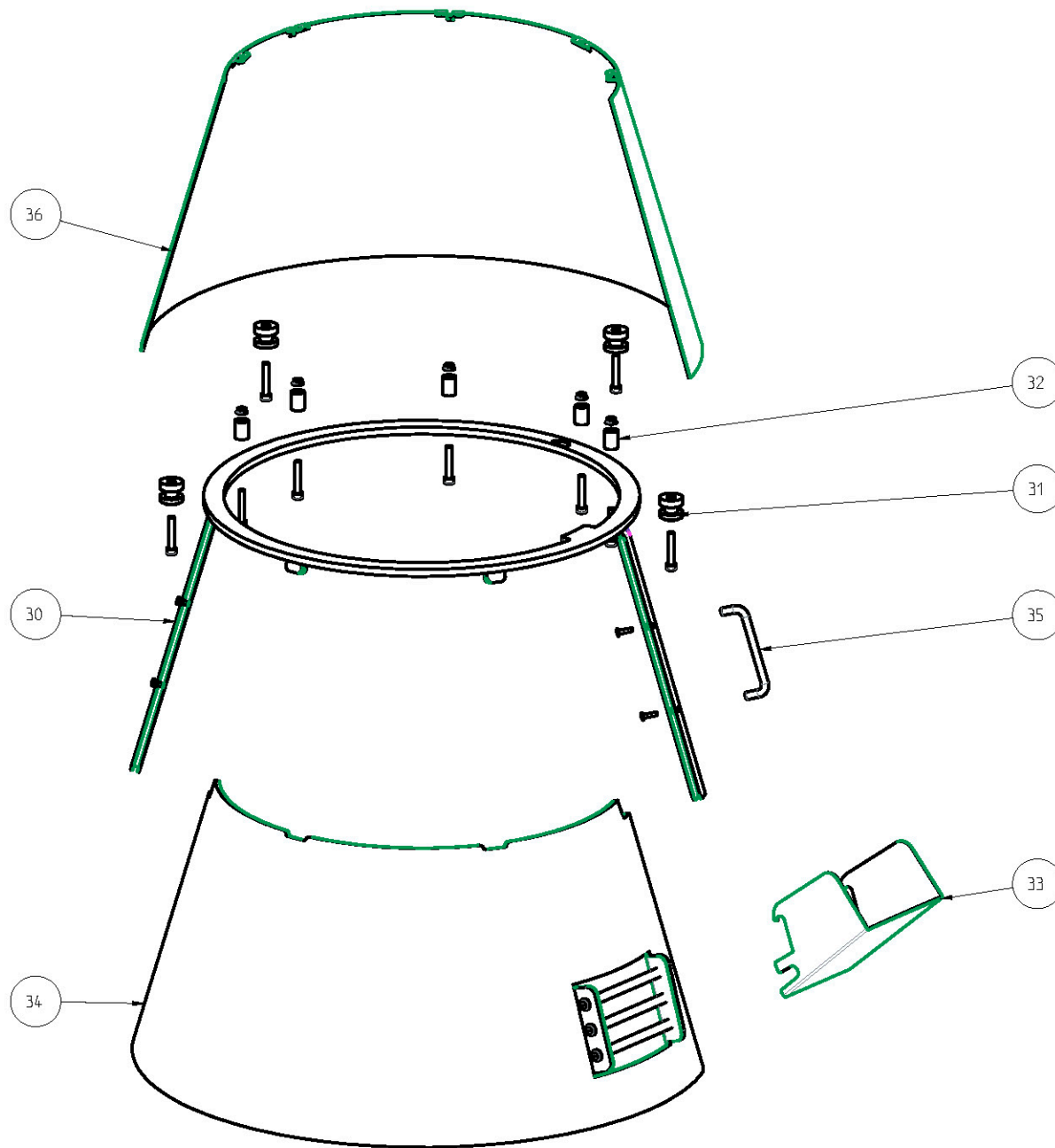


VERSIONE STANDARD
STANDARD VERSION

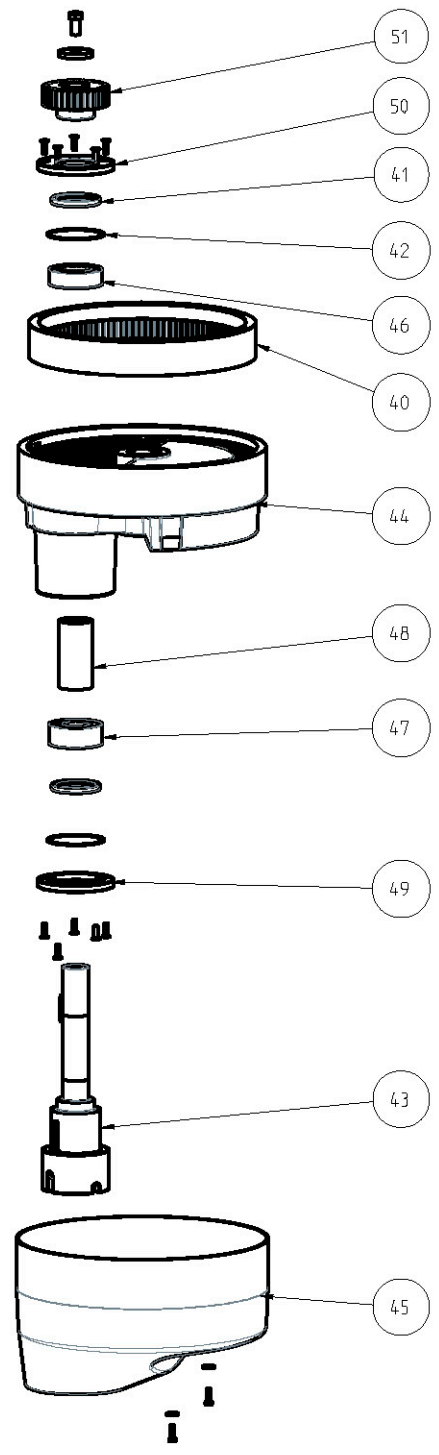
PLAN120N197A
CODICE GRUPPO
PER VERSIONE CON RASCHIATORE
ASSEMBLY CODE
FOR VERSION WITH SCRAPER

ind.	cons. sugg.	Q.tà Q.ty	codice / item code	codice ricambio spare part code	descrizione	description	prezzo unitario € unit price €
1		1	A900000217100	A900000217100	ASS SOLLEVAMENTO VASCA /PL160	BOWL LIFTING ASSEMBLY	
2		1	A900000047000	A900000047000	ASS TAMPONE /PL80-140	RUBBER BUMPER ASSEMBLY PL80-140	
3		1	A900000313000	A900000313000	ASS TELESCOPICI /PL160N	GROUP TELESCOPIC PROTECTIONS /PL160N	
4		1	PLAN120N033A	PLAN120N033A	BARRA FIL. M16x555 ZINCATA	THREADED TIE ROD M16x555	
5		1	B553000030000	B553000030000	CARTER POSTERIORE COLONNA /PL160 -S235JR VERNIC	REAR COVER 160	
6		1	PLAN120N066A	PLAN120N066A	COPERCHIO TESTA IN ABS ARANCIONE PL120N-PL140N (SPL120CN)	TOP COVER IN ABS ORANGE PL120N-PL140N (SPL120CN)	204,00
7		1	PLAN120N067A	PLAN120N067A	GRUPPO MICRO	MICROSWITCH ASSEMBLY	
8		1	PLAN120N196A	PLAN120N196A	GRUPPO RIDUTTORE PLANETARID INNESTO RAPIDO	PLANETARY REDUCER ASSEMBLY WITH RAPID TOOL JOINT	
9		1	PLAN120N023A	PLAN120N023A	GRUPPO TRASMISSIONE	TRANSMISSION ASSEMBLY	
10		1	A900000312000	A900000312000	GRUPPO VASCA /PL160N	BOWL ASSEMBLY /PL160N	
11		2	C230000006000	C230000006000	GUIDA LINEARE SBI25 L=1016 PL100-120-140-160	LINEAR GUIDE SBI25 L=1016 PL100-120-140-160	
12		1	IEPL120NVAREA	IEPL120NVAREA	IMP.ELET. PL120/140NVAREA	ELECTRICAL SYSTEM FOR PL120/140NVAREA	
13	*	1	A50000001000	A50000001000	INTERRUTTORE GENERALE (ABBOT16FT3) + MANOVRA (PLAN080167A) PL80-PL140	MAIN SWITCH (ABBOT16FT3) + SELECTOR (PLAN080167A) PL80-PL140	66,00
14		1	PLAN80N169A	PLAN80N169A	MICRO PRESENZA VASCA PIZZATO FR1831-S1 CON SUPPORTO PL80-140	BOWL DETECTION MICROSWTICH PIZZATO FR01831-S1 WITH SUPPORT PL80-140	
15		1	XCKN2118G11	XCKN2118G11	MICRO PRESENZA VASCA XCKN2118G11 PL10N-140	BOWL DETECTION MICROSWTICH XCKN2118G11 PL10N-140	
16	*	1	E130000210211	E130000210211	MICRO PROTEZIONE VASCA TELEMECANIQUE XCKN2102G11 PL20N-PL120-PL140N	MICROSWITCH TELEMECANIQUE XCKN2102G11 FOR BOWL SAFETY GUARD	46,00
17		4	C231000003000	C231000003000	PATTINO A SFERE SBI25FLK1N SBC PL30/80S-100-120-140-160N	SPHERES SLIDING BLOCK SBI25FLK1N SBC PL30/80S-100-120-140-160N	
18		2	PLAN120N022A	PLAN120N022A	PIATTO ATTACCO IMPIANTO Elett. ZINCATO	SUPPORT ELECTRIC BOX	
19		1	PLAN120196A	PLAN120196A	PIATTO PREMIMICRO ZINCATO	MICROSWITCH FLAT	
20		1	C310011016130	C310011016130	PIEDE APP Ø 130 M16x110 -AIS1304	SUPPORTING FOOT Ø 130 M16X110	
21		1	A569000020000	A569000020000	PROTEZIONE ANTINF. COMPLETA: ANTERIORE PLASTICA+POSTERIORE+ATTACCHI+IMBUTO PL140N	SAFETY GUARD COMPLETE: FRONT PLASTIC+REAR+ATTACHMENTS+FUNNEL PL140N	
22		1	PLAN120N075A	PLAN120N075A	PULSANTIERA PL120N VAR.E.	KEYBOARD PL120N WITH SPEED VARIATOR	
23		1	PLAN120037A	PLAN120037A	SQUADRETTA PER MICRO PROTEZIONE VASCA TELEMECANIQUE XCKN2102G11 PL120-140	BRACKET FOR MICROSWITCH TELEMECANIQUE XCKN2102G11 FOR BOWL SAFETY GUARD	
24		3	C430000120345	C430000120345	TAPPO IN PE ROTONDO NERO CON LAMELLE PER PIEDINI D. 120 mm (EX COD. PLAN080234A)	BLACK ROUND CUP D. 120 mm (EX COD. PLAN080234A)	
25		4	PLAN80N113A	PLAN80N113A	TAPPO ROTONDO D. 120 MM IN ABS CROMATO (EX COD. PLAN080235A)	ROUND CUP D. 120 MM IN CHROMED ABS (EX COD. PLAN080235A)	
26		1	A575000019000	A575000019000	TELAIO /PL160 -S235JR	WELDED FRAME	
27		1	PLAN080023A	PLAN080023A	TIRANTE MOTORE PL80/PL140 ZINCATO	GALVANIZED MOTOR BRACKET PL80/PL140	

*	RICAMBIO CONSIGLIATO SUGGESTED SPARE PART
---	--



<i>ind.</i>	<i>cons. sugg.</i>	<i>Q.ti Q.ty</i>	<i>codice ricambio spare part code</i>	<i>descrizione</i>	<i>description</i>	<i>prezzo unitario € unit price €</i>
30		1	PLAN14ON051A	ANELLO SALDATO GIR. PL14ON IN AISI304	PL14ON REVOLVING WELDED RING ASSEMBLY	
31		4	A055000002000	ASS BUSSOLA CON BOCCOLE SCORRIMENTO RIPARO /PL	COMPASS WITH BUSHING FOR SLIDING SAFETY GUARD	
32		5	PLAN30T110A	BUSSOLA NYLON FERMO RIPARO LATERALE 8X14X19	NYLON BUSHING TO STOP SAFETY GUARD	
33		1	PLAN80N117C	IMBUTO AMOVIBILE RIDOTTO IN ACCIAIO INOX PER PROTEZ ANTINF	REDUCED REMOVABLE FUNNEL IN STAINLESS STEEL FOR PLASTIC SAFETY GUARD	
34		1	PLAN14ON131A	LASTRA TERMOFORMATATA IN PETG PER PROTEZIONE ANTERIORE PL14ON	THERMOFORMED PETG SHEET FOR FRONT PROTECTION PL14ON	
35		1	C452024028096	MANIGLIA ZAMA MM.96 NICHEL SATINATA	HANDLE	
36		1	PLAN14ON014A	PROTEZIONE ANTINFORTUNISTICA FISSA POSTERIORE PL14ON	REAR STAINLESS STEEL SAFETY GUARD FIXED PL14ON	

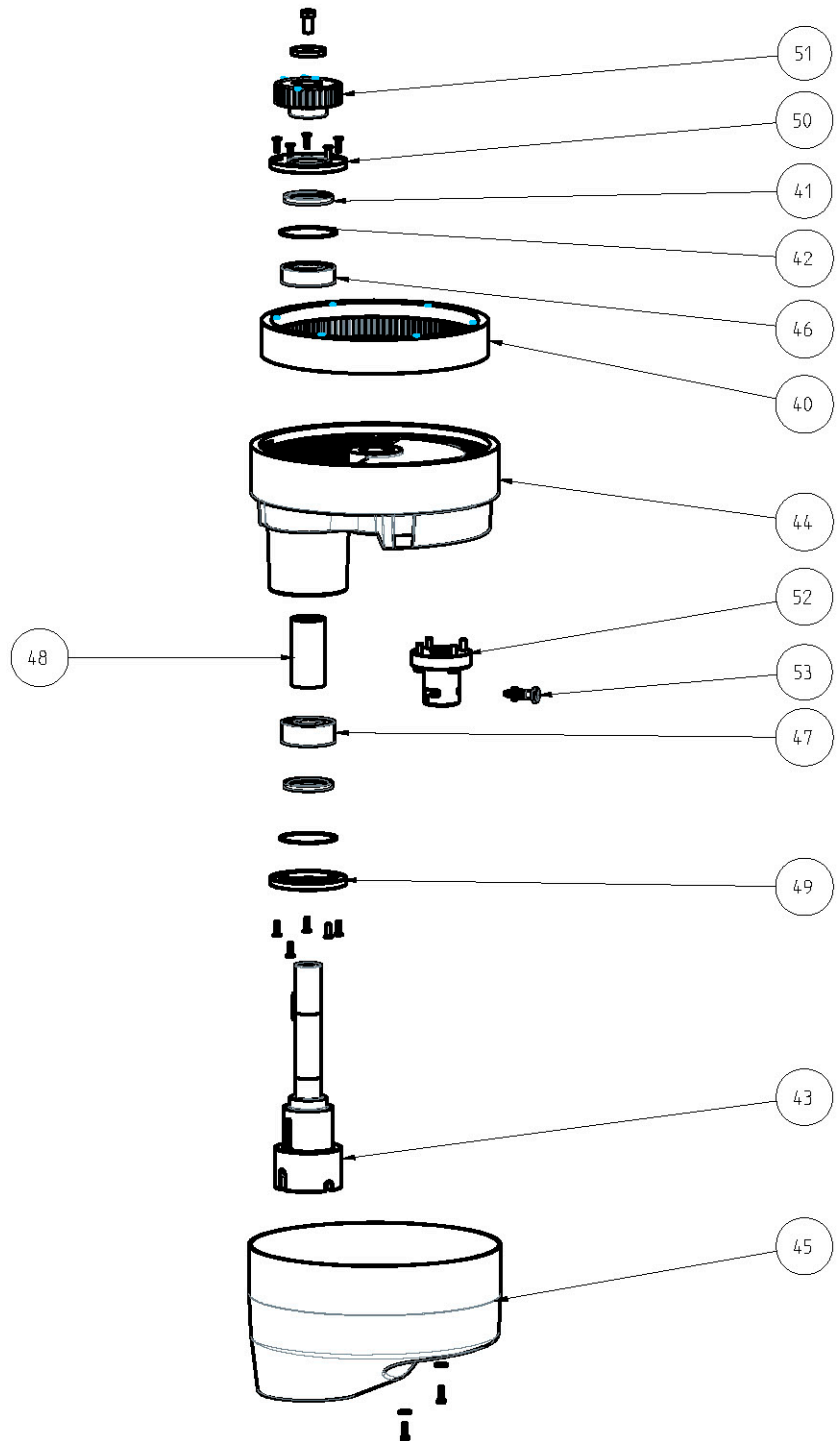


03	22/10/20	MT	AGGIORNATI CODICI E DESCRIZIONI
02	28/02/20	MT	AGGIORNATE DESCRIZIONI
01	23/11/18	CONZATO	AGGIUNTO COD. B900000184120 AL POSTO DI UN COD. PLAN120N018AD
rev.	data	approvato	modifica

ind.	cons. sugg.	Q.tà Q.ty	codice ricambio spare part code	descrizione	description	prezzo unitario € unit price £
40		1	PLAN120015A	ANELLO DENTATO INTERNO M=3 Z=100 PL120-140	INTERNAL GEAR RING M=3 Z=100 PL120-140	320,00
41	*	2	ANT55-72-10AS	ANELLO DI TENUTA 55-72-10AS PL120-PL140	SEALING RING 55-72-10AS PL120-PL140	12,00
42	*	2	OR2325	ANELLO OR2325 PL120-140	O-RING 2325 PL120-140	4,00
43		1	A283000006100	ASS ALBERO-BUSSOLA INNESTO RAP /PL120-140 (ex cod. PLAN120012A + PLAN120038A)	BAYONET CONNECTION SHAFT AND LOCKING NUT ASSEMBLY PL120-140	604,00
44		1	PLAN120011A	COPPA IN GHISA PER RIDUTTORE PLANETARIO PL120-140	CAST IRON CUP FOR PLANETARY REDUCER PL120-140	
45		1	CCPL120B	COPRI COPPA IN PLASTICA BIANCO PL120-140	WHITE PLASTIC COVER FOR PLANETARY REDUCER PL120-140	48,00
46	*	1	CUS2208-2RS	CUSCINETTO 2208-2RS PL120-140	BEARING 2208-2RS PL120-140	48,00
47		1	CUS3208-2RS	CUSCINETTO 3208-2RS PL120-140	BEARING 3208-2RS PL120-140	52,00
48		1	PLAN120019A	DISTANZIALE INTERNO CAMPANA 40,3X50X100,8	SPACER 40,3X50X100,8	
49		1	B900000184120	FLANGIA ESTERNA COPPA /PL120-140 -NI	EXTERNAL FLANGE CUP PL120-140	
50		1	PLAN120018A	FLANGIA INTERNA COPPA /PL120-140 -S235JR	INTERNAL FLANGE CUP PL120-140	
51		1	PLAN120014A	INGRANAGGIO M=3 Z=31 PL120-140	GEAR M=3 Z=31 PL120-140	54,00

*	RICAMBIO CONSIGLIATO SUGGESTED SPARE PART
---	--

03	22/10/20	MT	AGGIORNATI CODICI E DESCRIZIONI
02	28/02/20	MT	AGGIORNATE DESCRIZIONI
01	23/11/18	CONZATO	AGGIUNTO COD. B900000184120 AL POSTO DI UN COD. PLAN120018AD
rev.	data	approvato	modifica

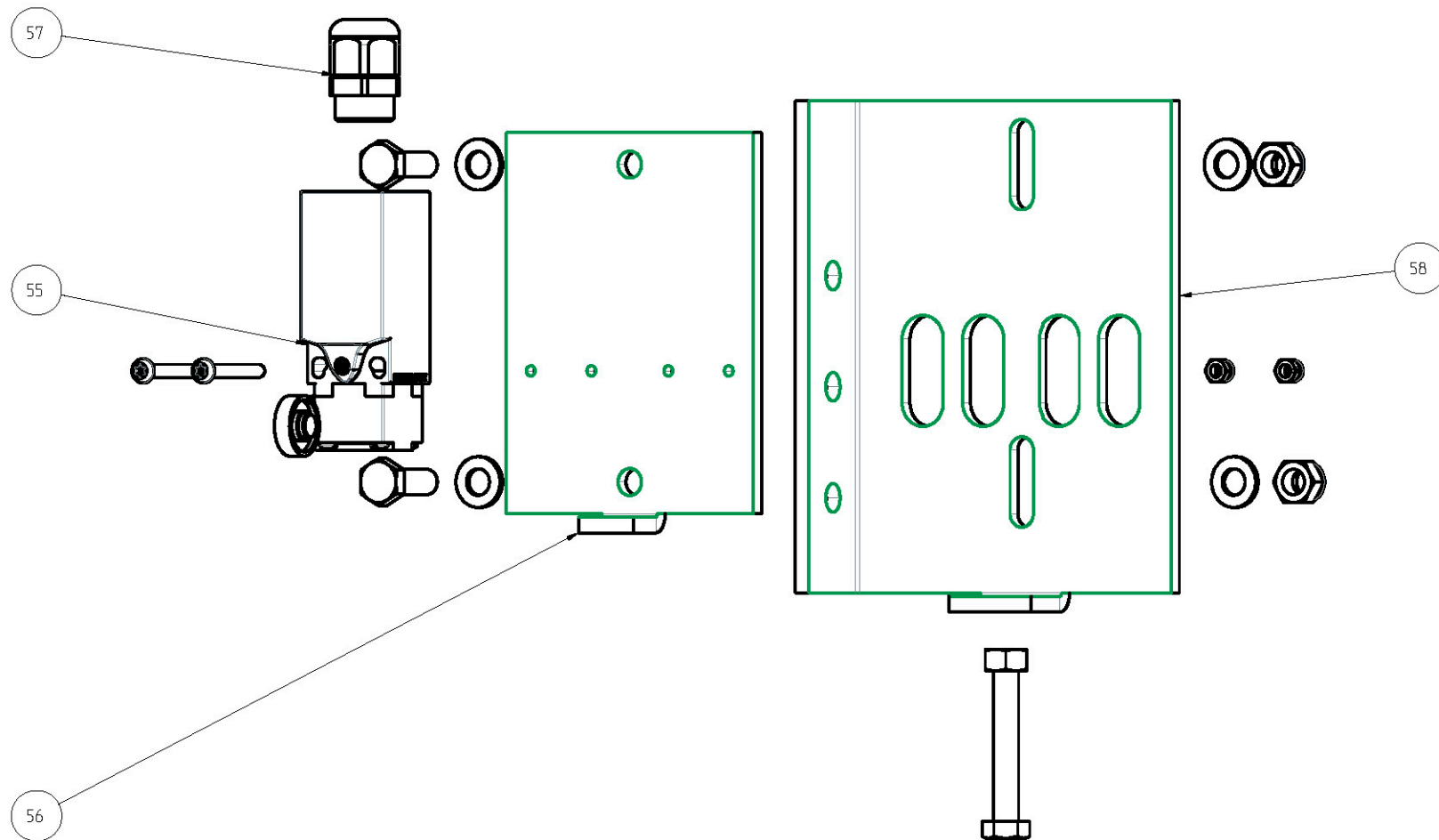


03	22/10/20	MT	AGGIORNATI CODICI E DESCRIZIONI
02	28/02/20	MT	AGGIORNATE DESCRIZIONI
01	23/11/18	CONZATO	AGGIUNTO COD. B900000184120 AL POSTO DI UN COD. PLAN120N018AD
rev.	data	approvato	modifica

ind.	cons. sugg.	Q.tà	codice ricambio spare part code	descrizione	description	prezzo unitario € unit price €
40		1	PLAN120015A	ANELLO DENTATO INTERNO M=3 Z=100 PL120-140	INTERNAL GEAR RING M=3 Z=100 PL120-140	320,00
41	*	2	ANT55-72-10AS	ANELLO DI TENUTA 55-72-10AS PL120-PL140	SEALING RING 55-72-10AS PL120-PL140	12,00
42	*	2	OR2325	ANELLO OR2325 PL120-140	O-RING 2325 PL120-140	4,00
43		1	A283000006100	ASS ALBERO-BUSSOLA INNESTO RAP /PL120-140 (ex cod. PLAN120012A + PLAN120038A)	BAYONET CONNECTION SHAFT AND LOCKING NUT ASSEMBLY PL120-140	604,00
44		1	PLAN120011A	COPPA IN GHISA PER RIDUTTORE PLANETARIO PL120-140	CAST IRON CUP FOR PLANETARY REDUCER PL120-140	
45		1	CCPL120A	COPRI COPPA IN PLASTICA BIANCO PL120-140 CON ATT. RASCHIATORE	WHITE PLASTIC COVER FOR PLANETARY REDUCER PL120-140 WITH SCRAPER ATT.	48,00
46	*	1	CUS2208-2RS	CUSCINETTO 2208-2RS PL120-140	BEARING 2208-2RS PL120-140	48,00
47		1	CUS3208-2RS	CUSCINETTO 3208-2RS PL120-140	BEARING 3208-2RS PL120-140	52,00
48		1	PLAN120019A	DISTANZIALE INTERNO CAMPANA 40,3X50X100,8	SPACER 40,3X50X100,8	
49		1	B900000184120	FLANGIA ESTERNA COPPA /PL120-140 -NI	EXTERNAL FLANGE CUP PL120-140	
50		1	PLAN120018A	FLANGIA INTERNA COPPA /PL120-140 -S235JR	INTERNAL FLANGE CUP PL120-140	
51		1	PLAN120014A	INGRANAGGIO M=3 Z=31 PL120-140	GEAR M=3 Z=31 PL120-140	54,00
52		1	PLAN40T054B	ATTACCO RASCHIATORE IN AISI420B	SCRAPER HUB ATTACHMENT	
53		1	C454172300501	SPINTORE IN ACCIAIO INOX PER FERMO RASCHIATORE PL40-140	STAINLESS STEEL PISTON FOR SCRAPER LOCKING PL40-140	

*	RICAMBIO CONSIGLIATO SUGGESTED SPARE PART
---	--

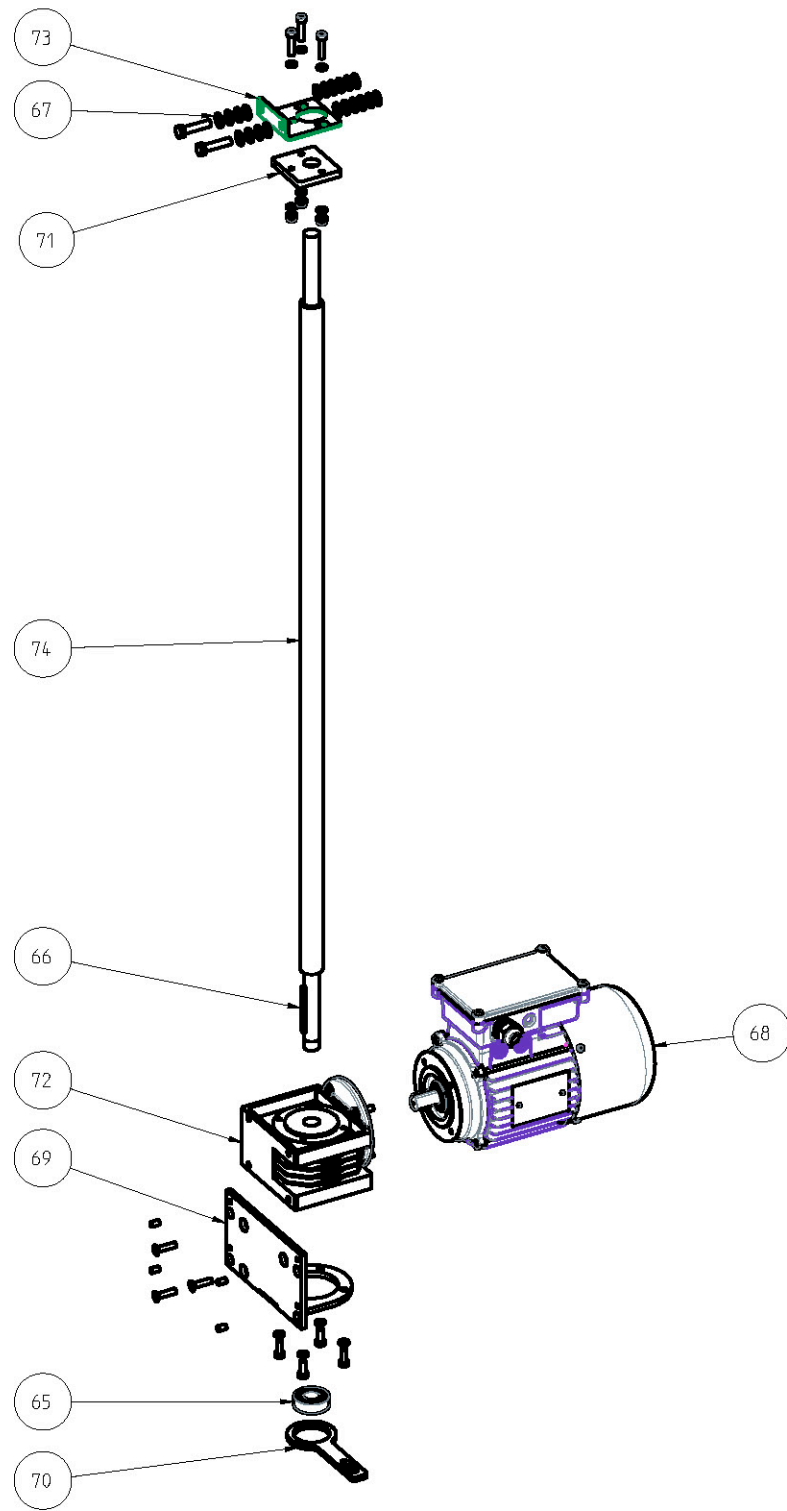
03	22/10/20	MT	AGGIORNATI CODICI E DESCRIZIONI
02	28/02/20	MT	AGGIORNATE DESCRIZIONI
01	23/11/18	CONZATO	AGGIUNTO COD. B900000184120 AL POSTO DI UN COD. PLAN120N018AD
rev.	data	approvato	modifica



03	16/11/20	MT	AGGIORNATE DESCRIZIONI
02	18/12/18	MT	AGGIORNATO ASSIEME
01	11/02/13	FM	TOLTO UN MICROINTERRUTTORE E REVISIONATE LE STAFFE COD. PLAN120063A E PLAN120064A
rev.	data	approvato	modifica

<i>ind.</i>	<i>cons. sugg.</i>	<i>Q.ti Q.ty</i>	<i>codice ricambio spare part code</i>	<i>descrizione</i>	<i>description</i>	<i>prezzo unitario € unit price €</i>
55		1	XCKN2118G11	MICRO PRESENZA VASCA XCKN2118G11 PL10N-140	BOWL DETECTION MICROSWITCH XCKN2118G11 PL10N-140	
56		1	PLAN120064A	PIASTRA MICRO PL80/120 ZINCATA	GALVANIZED SUPPORT PLATE FOR MICROSWITCH PL80/120	
57		1	E500000028000	PRESSACAVO PG11	CABLE GLAND PG11	
58		1	PLAN120063A	STAFFA MICRO PL80/PL160 ZINCATA	MICROSWITCH SUPPORT BRACKET PL80/PL160	

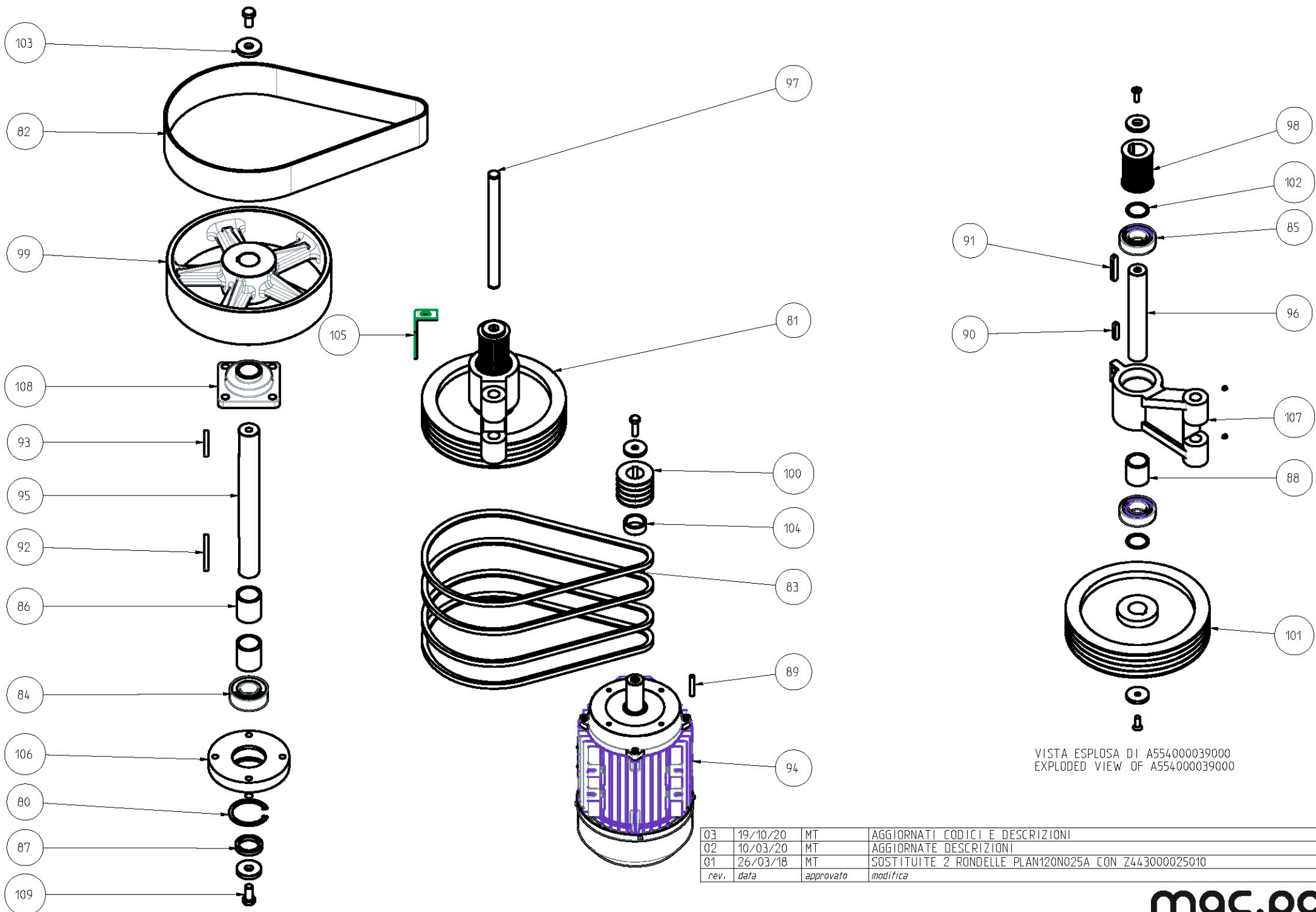
02	18/12/18	MT	AGGIORNATO ASSIEME
01	11/02/13	FM	TOLTO UN MICROINTERRUTTORE E REVISIONATE LE STAFFE COD. PLAN120063A E PLAN120064A
<i>rev.</i>	<i>data</i>	<i>approvato</i>	<i>modifica</i>



ind.	cons. sugg.	Q.ti Q.ty	codice ricambio spare part code	descrizione	description	prezzo unitario € unit price €
65		1	CUS7203-2RS	CUSCINETTO 7203-BTVP 2RS (EX COD. CUS51203)	BEARING 7203-BTVP 2RS (EX COD. CUS51203)	
66		1	Z444000016000	LINGUETTA UNI 6604-A 6x6x60	TONGUE UNI 6604-A-6X6x60	
67		20	C250000002000	MOLLA A TAZZA DIN2093 8,2x16x0,6 T	BELLEVILLE WASHER	4,00
68		1	MOTRIDPL100FR	MOTORE 71CA CON FRENO PER SOLL. VASCA - 2 POLI - 0,75 kW - 230-400/50Hz	MOTOR 71CA WITH BRAKE FOR BOWL LIFT. - 2 POLES - 0,75 kW - 230-400/50Hz	
69		1	PLAN080072A	PIASTRA ATTACCO RIDUTTORE AL SISTEMA DI SOLLEVAMENTO AUTOMATICO VASCA PL80-140	PLATE FOR AUTOMATIC BOWL LIFTER REDUCER CONNECTION PL80-140	
70		1	B548000011000	PIASTRA CENTRAGGIO CUSCINETTO /PL80 ZN	BEARING CENTERING PLATE /PL80 ZN	
71		1	PLAN080104A	PIASTRINA IN PLASTICA SCORRIMENTO VITE SENZA FINE	PLASTIC PLATE FOR ROTATING WDRM SCREW	
72		1	RIDNMRV40-1.10	RIDUTTORE A INGRANAGGI PER SOLLEVAMENTO VASCA (50Hz) WMI40 R1/10 71B14+LUBR.	GEARS REDUCER FOR BOWL LIFTER (50Hz) WMI40 R1/10 71B14+LUBR.	230,00
73		1	PLAN080134A	SQUADRETTA RINFORZO VITE SENZA FINE (EX COD. PLAN080048A)	MOUNTING BRACKET FOR WORM SCREW (EX COD. PLAN080048A)	
74		1	B440000001000	VITE ALZAVASCA /PL160 -C40	PL160 WORM SCREW	



RICAMBIO CONSIGLIATO
SUGGESTED SPARE PART



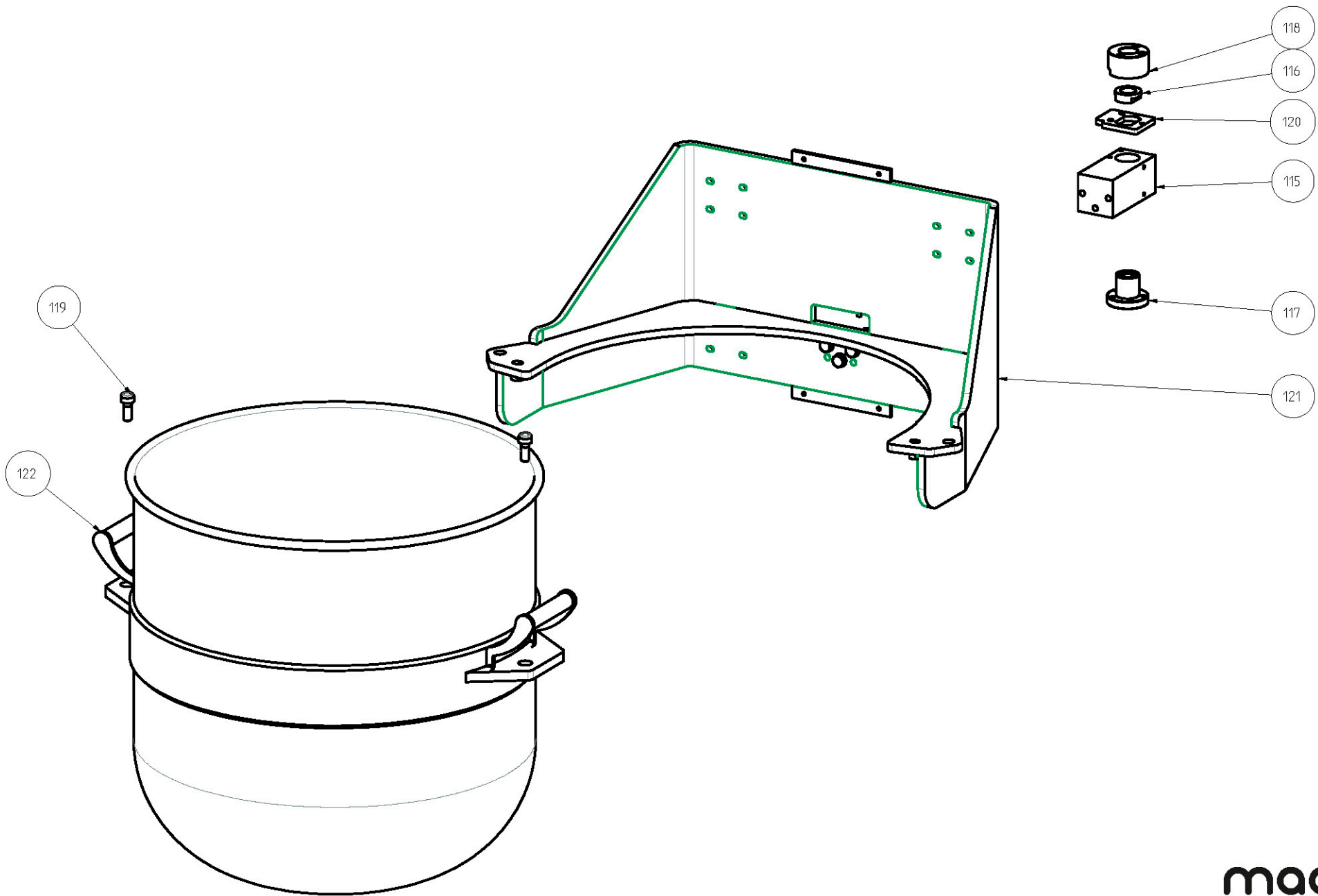
VISTA ESPLOSA DI A554-000039000
EXPLODED VIEW OF A554-000039000

03	19/10/20	MT	AGGIORNATI CODICI E DESCRIZIONI
02	10/03/20	MT	AGGIORNATE DESCRIZIONI
01	26/03/18	MT	SOSTITUIRE 2 RONDELLE PLAN120N025A CON Z443000025010
rev.	data	approvato	modifica

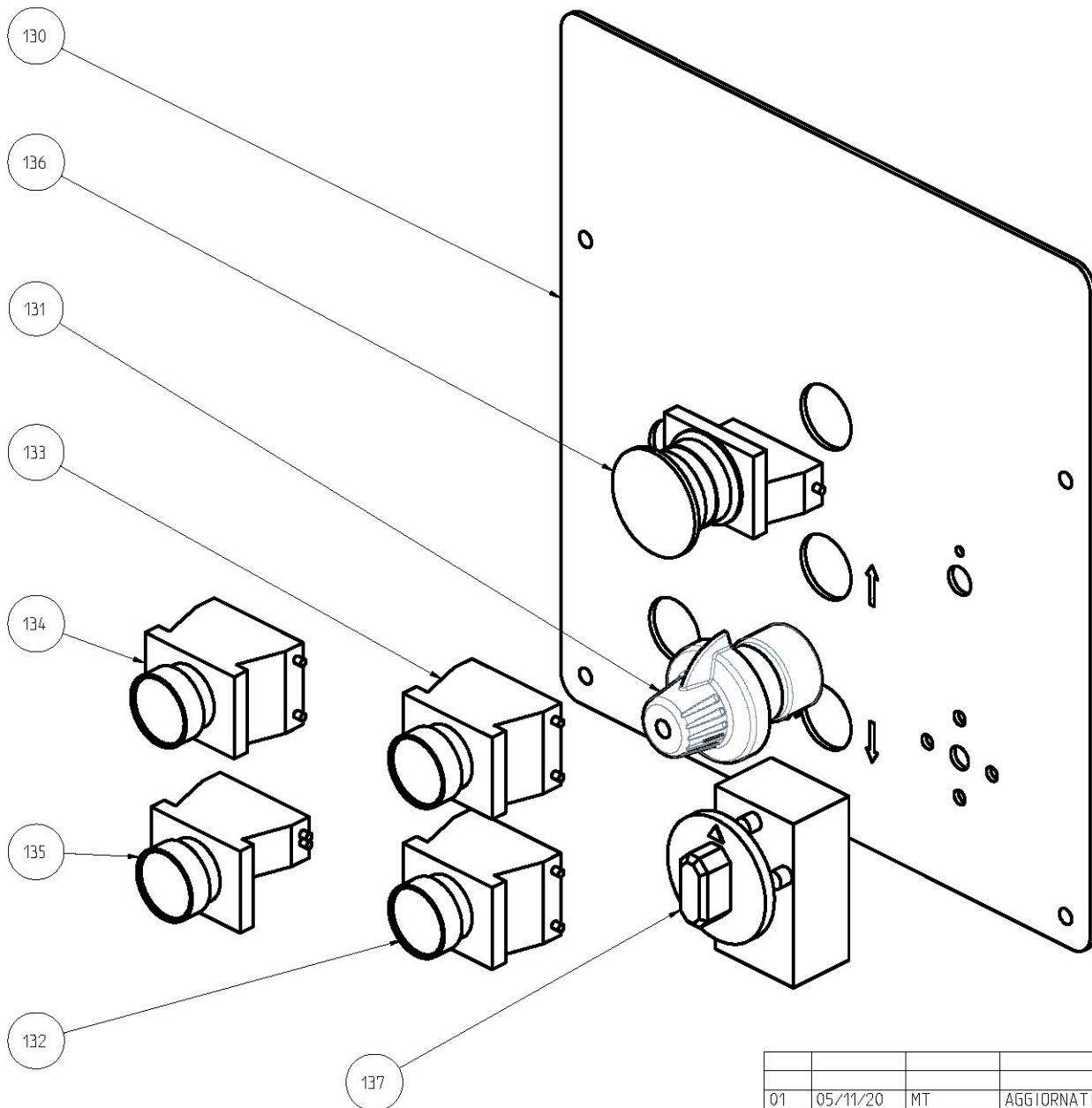
ind.	cons. sugg.	Q.tà / Q.ty	codice ricambio / spare part code	descrizione	description	prezzo € / price £
80		1	Z307000021000	ANELLO SEEGER FORD UNI 7437 D85	UNI7437 D=85 SEEGER HOLE STEEL	
81		1	A554000039000	ASS SUPP PULEGGIA CENTRALE /PL120	CENTRAL PULLEY SUPPORT ASSEMBLY /PL120	
82	*	1	C110080851440	CINGHIA DENTATA HTD 1440 GT3 8M85 PL120-140 (EX COD. C1NHTDPL120)	TOOTHED BELT HTD 1440 GT3 8M85 PL120-140 (EX COD. C1NHTDPL120)	184,000
83	*	4	C112000001332	CINGHIA SPA1332 PL120-140 (EX COD. C1NXPAL 120-140-C1NXPAPL120-XPA1332)	BELT SPA1332 PL120-140 (EX COD. C1NXPAL 120-140-C1NXPAPL120-XPA1332)	34,000
84	*	1	CUS3209-2RS	CUSCINETTO 3209-2RS PL120-140	BEARING 3209-2RS PL120-140	70,000
85	*	2	CUS62208-2RS	CUSCINETTO 62208-2RS PL120-140-160	BEARING 62208-2RS PL120-140-160	48,000
86		2	PLAN120020B	DISTANZIALE ALBERO PORTA CAMPANA PL120	SPACER SHAFT PL120	
87		1	PLAN120017A	DISTANZIALE CAMPANA SUPPORTO IN S235JR	SPACER BETWEEN CUP AND SUPPORT	
88		1	PLAN120025A	DISTANZIALE INTERNO SUP.CENTRALE S235JR	SPACER FOR CENTRAL INTERNAL SUPPORT S235JR	
89		1	Z444000048000	LINGUETTA UNI 6604-A 10X8X55	TONGUE UNI 6604-A 10x8x55	
90		1	Z444000019000	LINGUETTA UNI 6604-A 12x8x45	TONGUE UNI 6604-A 12x8x45	6,000
91		1	Z444000020000	LINGUETTA UNI 6604-A 12x8x70	TONGUE UNI 6604-A 12x8x70	9,000
92		1	Z444000024000	LINGUETTA UNI 6604-A 14x9x100	TONGUE UNI 6604-A 14x9x100	
93		1	Z444000023000	LINGUETTA UNI 6604-A 14x9x70	TONGUE UNI 6604-A 14x9x70	
94		1	MOTPL120TVAREA	MOTORE 132 - 4 POLI - 5,5 Kw - 230-400V/50HZ - PL120-140 VELOCITÀ VARIABILE	MOTOR 132 - 4 POLES - 5,5 KW - 230-400V/50HZ - PL120-140 VARIABLE SPEED	
95		1	PLAN120021B	PERNO PER RIDUTTORE PLANETARIO C40 Ø45 RETTIFICATO H7 PL120-140	PIN FOR PLANETARY REDUCER C40 Ø45 GROUND H7 PL120-140	
96		1	PLAN120024B	PERNO PULEGGE RINVIO CENTRALE PL120-140	CENTRAL TRANSMISSION PULLEYS PIN PL120-140	
97		1	PLAN120023B	PERNO PULEGGE RINVIO CENTRALE PL120-140	PIN FOR PULLEYS CENTRAL SUPPORT PL120-140	
98		1	PLAN120027A	PULEGGIA DENTATA HTD 26-8M-85 PL120-140	TOOTHED PULLEY HTD 26-8M-85 PL120-140	
99		1	PLAN120026A	PULEGGIA DENTATA HTD 144-8M-85 PL120-140	TOOTHED PULLEY HTD 144-8M-85 PL120-140	
100		1	PLAN120029B	PULEGGIA SPA D.P. 75 G=4 PL120	PULLEY SPA D.P. 75 G=4 PL120	
101		1	PLAN120028B	PULEGGIA SPA D.P. 315 G=4 PL120-140	PULLEY SPA D.P. 315 G=4 PL120-140	
102		2	C574000009000	ROND SPESDRE 40x50x1 DIN 988	SPACER 40x50x1 DIN 988	
103		2	PLAN120041A	RONDELLA 17x55x10 -S235JR	WASHER 17x55x10 -S235JR	
104		1	PLAN120042A	SPESSORE SOTTO PULEGGIA MOTORE	SHIM UNDER MOTOR PULLEY	
105		1	PLAN080046A	SQUADRETTA SUPPORTO CENTR. ZINCATA	CENTRAL SUPPORT BRACKET	
106		1	B554000071010	SUPP INFERIORE /PL120 -FOSFATATO	LOWER SUPPORT /PL120	
107		1	PLAN120022A	SUPPORTO CENTRALE PL120-140-160 IN GHISA	CAST IRON CENTRAL SUPPORT PL120-140-160	
108		1	UCF209	SUPPORTO CON CUSCINETTO UCF209 PL120-140	SUPPORT WITH BEARING UCF209 PL120-140	104,000
109		1	PLAN120047A	VITE A TESTA ESAGONA M16x35 SX	LEFT M16x35 HEX HEAD SCREW	

*	RICAMBIO CONSIGLIATO SUGGESTED SPARE PART
---	--

03	19/10/2020	MT	AGGIORNATI CODICI E DESCRIZIONI
02	28/02/2020	MT	AGGIORNATE DESCRIZIONI
01	26/03/18	MT	SOSTITUIRE 2 RONDELLE PLAN120N025A CON Z443000025010
rev.	data	approvato	modifica



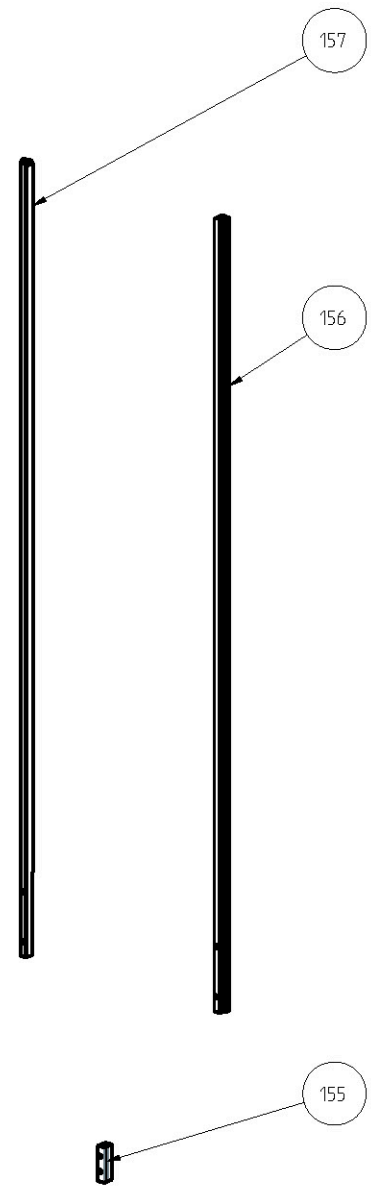
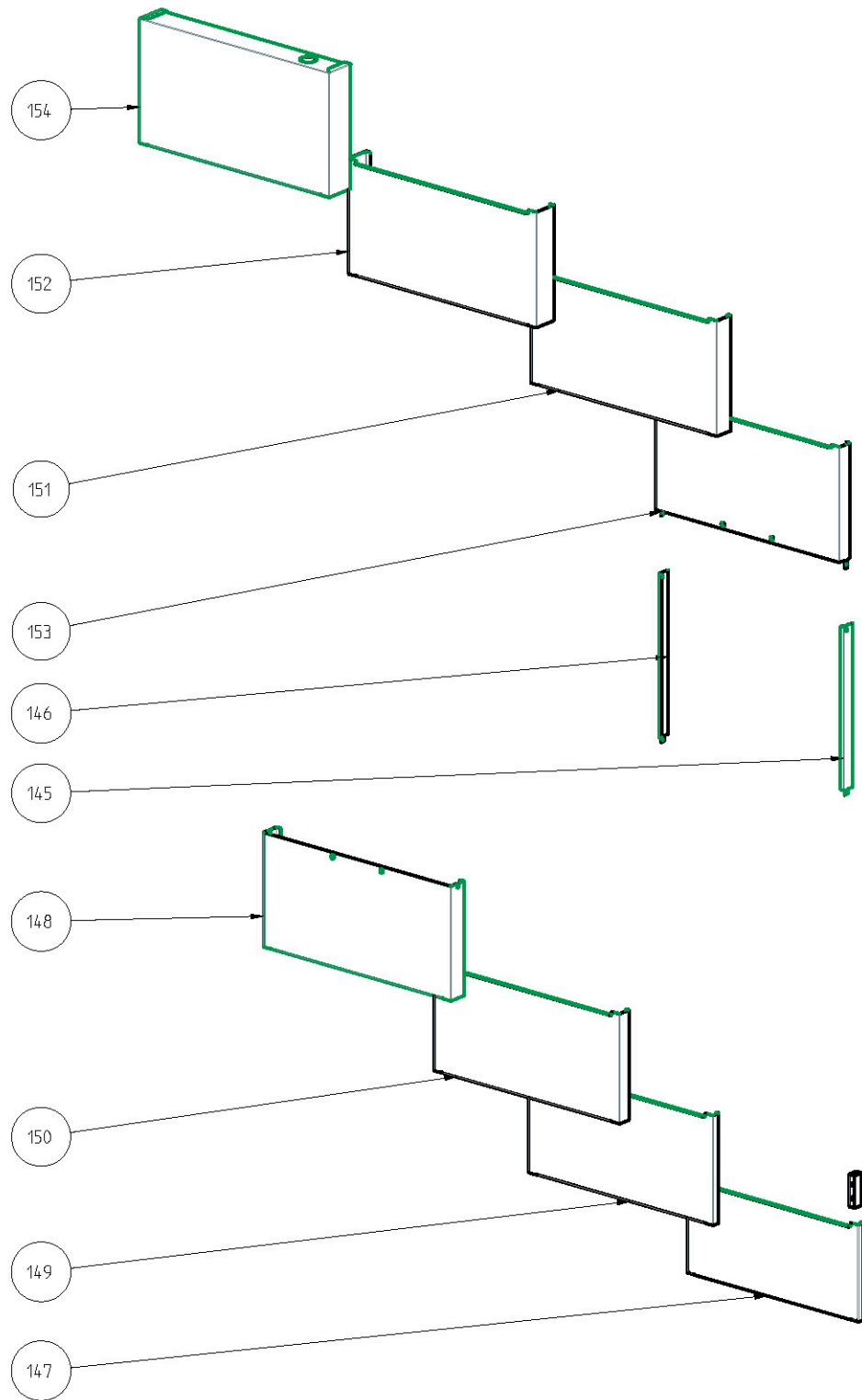
ind.	cons. sugg.	Q.ft Q.ty	codice / item code	codice ricambio spare part code	descrizione	description	prezzo unitario € unit price €
115		1	PLAN080020A	PLAN080020A	BLOCCO SUPPORTO CESTO PL40-140	BLDCK SUPPORT BOWL PL40-140	
116	★	1	PLAN080141A	PLAN080141A	CHIOCCIOLA DI SICUREZZA TPN25P52PSX	SAFETY SCREW NUT TPN25P52PSX	60,00
117	★	1	TPN25P52PSX	TPN25P52PSX	CHIOCCIOLA FLANGIATA IN BRONZO TPN25P52PSX (ex cod. PLAN080099A)	BRONZE FLANGED SCREW NUT TPN25P52PSX (ex cod. PLAN080099A)	150,00
118		1	PLAN080140A	PLAN080140A	COPERTURA CHIOCCIOLA DI SICUREZZA PLAN080141A -ZN	COVER FOR SAFETY SCREW NUT PLAN080141A	
119		2	PLAN080018A	PLAN080018A	PERNO CENTRAGGIO VASCA PL80-120 IN AISI304	CENTERING PIN PL80-120	
120		1	PLAN080139A	PLAN080139A	PIASTRINA ARRESTO DISCESA SOLL. AUT. PL80SN-100-120-140 ZN	PLATE DESCENT STOP AUT. LIFTER PL80SN-100-120-140	
121		1	PLAN140N002A	PLAN140N002A	SUPPORTO VASCA	SUPPORT BOWL	
122		1	VSPL160	VSPL160	VASCA 160 LITRI SENZA CARRELLO	BOWL 160 L WITHOUT TROLLEY	



01	05/11/20	MT	AGGIORNATI CODICI E DESCRIZIONI
rev.	data	approvato	modifica

ind.	cons. sugg.	Q.tt Q.ty	codice ricambio spare part code	descrizione	description	prezzo unitario € unit price €
130		1	PLAN120N076A	PANNELLO COMANDI SENZA PULSANTI PL120-140NVA (EX COD. PLAN120078A)	CONTROL PANEL WITHOUT BUTTONS PL120-140NVA (EX COD. PLAN120078A)	
131		1	POT	POTENZIOMETRO A FILO 10K LINEARE 1G COMPLETO DI MANOVRA	POTENTIOMETER 10L LINEAR 1G COMPLETE WITH SELECTOR	50,00
132	*	1	DOWN1	PULSANTE DI DISCESA VASCA COMPLETO (EX COD. PLAN120183A)	DOWN BOWL PUSH BUTTON COMPLETE (EX COD. PLAN120183A)	28,00
133	*	1	UP1	PULSANTE DI SALITA VASCA COMPLETO (EX COD. PLAN120119A)	UP BOWL PUSH BUTTON COMPLETE (EX COD. PLAN120119A)	28,00
134	*	1	START1	PULSANTE DI START COMPLETO (EX COD. PLAN080117A -109010036)	START PUSH BUTTON COMPLETE (COD. PLAN080117A - 109010036)	48,00
135	*	1	STOP1	PULSANTE DI STOP COMPLETO (EX COD. PLAN080118A - 1090100037)	STOP PUSH BUTTON COMPLETE (COD. PLAN080118A - 1090100037)	48,00
136	*	1	EMERG1	PULSANTE EMERGENZA A FUNGO METALLO (EX PLAN080166A-PLAN080120A)	EMERGENCY PUSH BUTTON COMPLETE	54,00
137	*	1	TIMER	TIMER MECCANICO 30 MINUTI (EX COD. PLAN080115A)	MECHANICAL TIMER 30 MINUTES (COD. PLAN080115A)	58,00

*	RICAMBIO CONSIGLIATO SUGGESTED SPARE PART
---	--



ind.	cons. sugg.	Q.ti Q.ty	codice ricambio spare part code	descrizione	description	prezzo unitario € unit price €
145		1	PLAN120N093A	CARTER PROTEZIONE LATERALE DESTRO	COVER FOR RIGHT SIDE PROTECTION	
146		1	PLAN120N092A	CARTER PROTEZIONE LATERALE SINISTRA	COVER FOR LEFT SIDE PROTECTION	
147		1	B553000029100	CARTER TELESCOPICO INF FISSO /PL160 -AISI304	TERMINAL CARTER	
148		1	B553000026100	CARTER TELESCOPICO INF FISSO PORTAVASCA /PL160 -AISI304	FIXED CARTER (INFERIOR GUARD)	
149		1	B553000028100	CARTER TELESCOPICO INF INTERMEDIO B=18mm /PL160 -AISI304	LOWER CARTER (INFERIOR GUARD)	
150		1	B553000027100	CARTER TELESCOPICO INF INTERMEDIO B=31mm /PL160 -AISI304	MIDDLING CARTER (INFERIOR GUARD)	
151		1	B553000024100	CARTER TELESCOPICO INTERMEDIO /PL160 -AISI304	MIDDLING CARTER (SUPERIOR GUARD)	
152		1	B553000033100	CARTER TELESCOPICO INTERMEDIO SUP ALTO /PL160 -AISI304	MIDDLING CARTER (SUPERIOR GUARD)	
153		1	B553000025100	CARTER TELESCOPICO SUP FISSO PORTAVASCA /PL160 -AISI304	FIXED CARTER (SUPERIOR GUARD)	
154		1	B553000023100	CARTER TELESCOPICO SUPERIORE FISSO /PL160 -AISI304	UPPER FIXED CARTER (SUPERIOR GUARD)	
155		2	PLAN120132A	GUIDA IN POLIETILENE 15X22X70 mm	SLIDEWAY FOR LOWER CARTER	
156		1	B235000014150	GUIDA IN POM 20x21.5x1580 mm DX / PL160	POLYETHYLENE SLIDEWAY	
157		1	B235000015150	GUIDA IN POM 20x21.5x1580 mm SX / PL160	POLYETHYLENE SLIDEWAY	